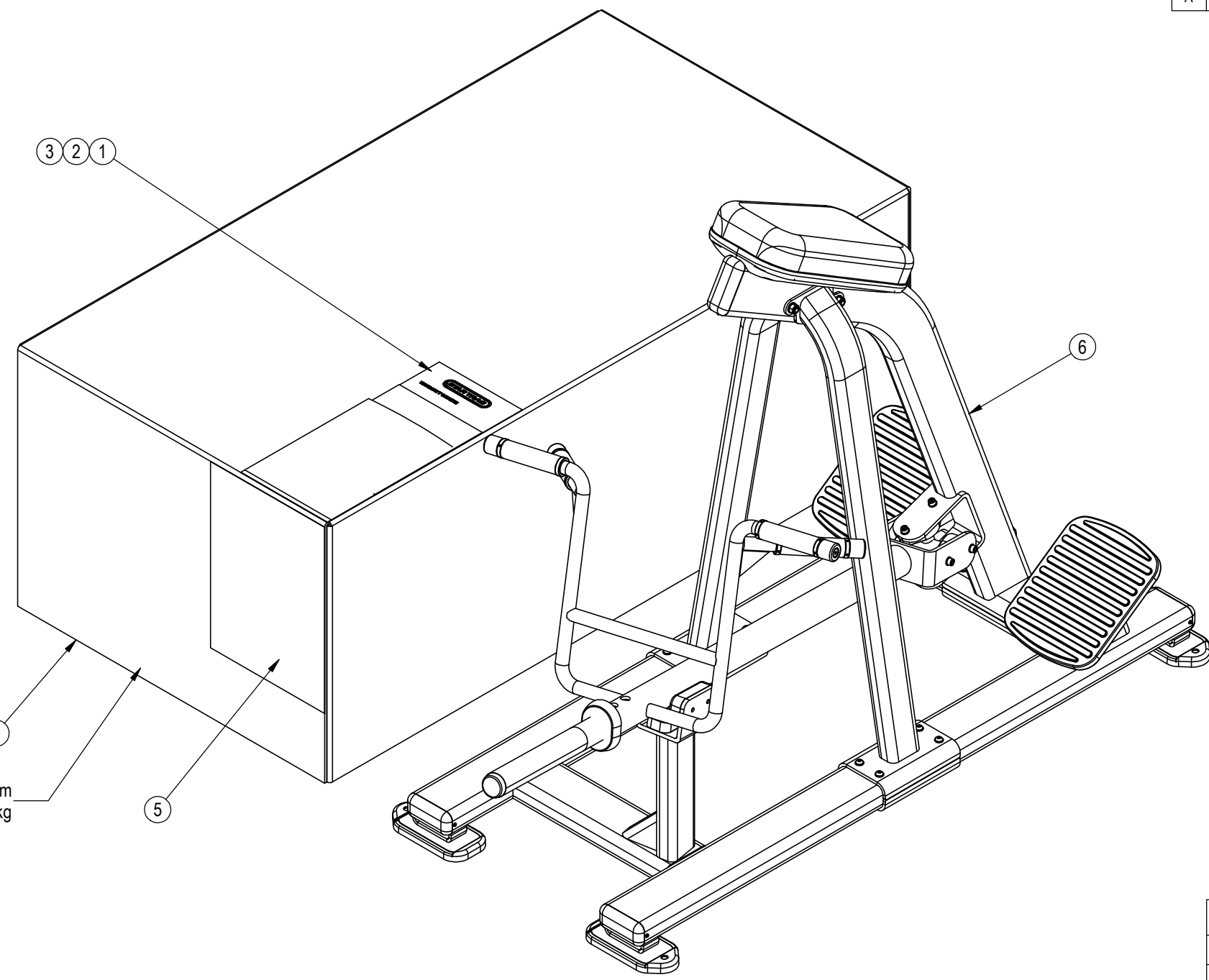


NOTES:

REVISION HISTORY				
REV	DATE	DESCRIPTION	ECO	BY
A	7/26/2013	RELEASED @ LA	14287	LA



152.4CM X 81.2cm X 58.4cm
G WT. 115.9 kg

ITEM NO.	PART NUMBER	DESCRIPTION	QTY.
1	620-7943	CARD,REG,WARRANTY, IP	1
2	620-8219	MANUAL,INSTALL,LEVER ROW,IP-L3140	1
3	731-0246	BAG,225mm X 332mm	1
4	731-5972	BOX,9IP-L3140-XXXXS	1
5	731-5973	STICKERS,PACKAGE,9IP-L3140	1
6	IP-L3140-XXXXS	LEVERAGE,INCLINE LEVER ROW	1

DOCUMENT STATUS:

NOTICE OF PROPRIETARY INFORMATION
THIS DOCUMENT SHALL NOT BE REPRODUCED NOR SHALL THE INFORMATION CONTAINED HEREIN BE USED BY OR DISCLOSED TO OTHER EXCEPT AS EXPRESSLY AUTHORIZED BY CORE INDUSTRIES, INC., D.B.A. STAR TRAC.

CLASS OF WORK	UNLESS OTHERWISE SPECIFIED DIMS ARE IN mm. TOLERANCES FOR MEASURE OF LENGTH ARE:								ANGLES = ±2°
	0.5 to 3	> 3 to 6	> 6 to 30	> 30 to 120	> 120 to 400	> 400 to 1000	> 1000 to 2000	> 2000	
FINE	±0.05	±0.05	±0.1	±0.15	±0.2	±0.3	±0.5	----	
MEDIUM	±0.1	±0.1	±0.2	±0.3	±0.5	±0.8	±1.2	±2	
COARSE	±0.2	±0.3	±0.5	±0.8	±1.2	±2	±3	±4	
VERY COARSE	----	±0.5	±1	±1.5	±2.5	±4	±6	±8	

MATERIAL
SEE BOM

FINISH
N/A

VENDOR: **N/A** P/N: **N/A**

THIRD ANGLE PROJECTION		
	INITIAL	DATE
DRAWN	RLH	7/26/13
CHECKED		
APPROVED		
	U.O.M.	MM

CORE INDUSTRIES, INC. DBA
14410 Myford Road
Irvine CA 92606

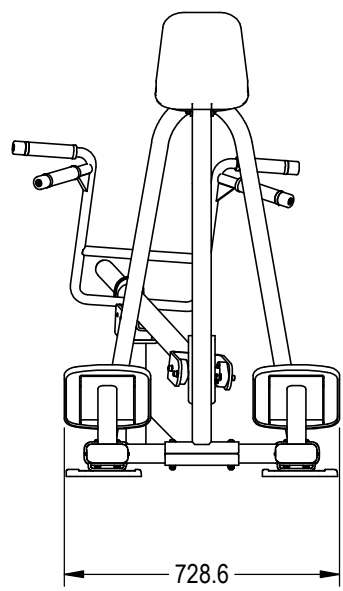
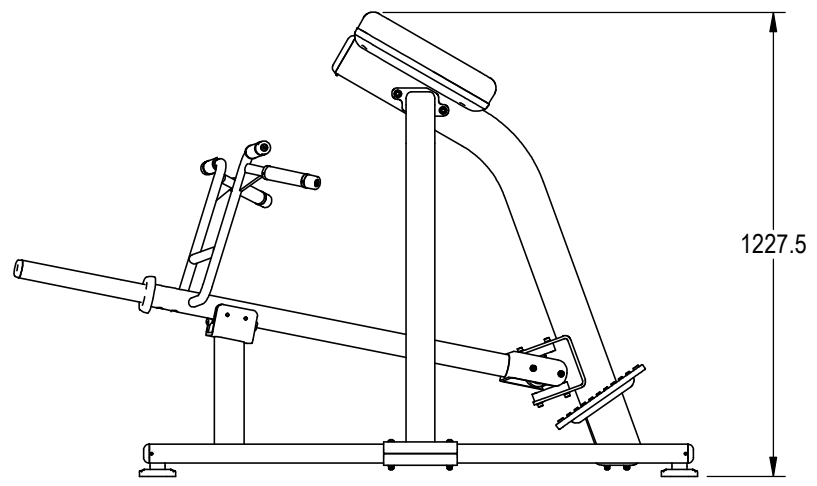
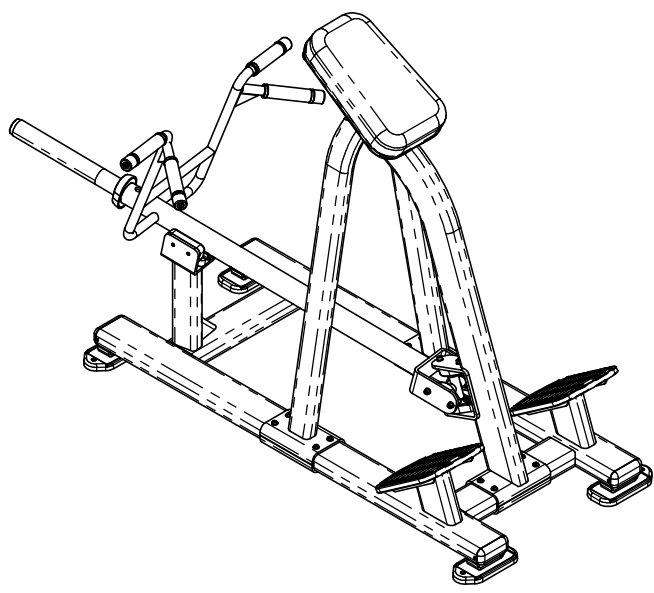
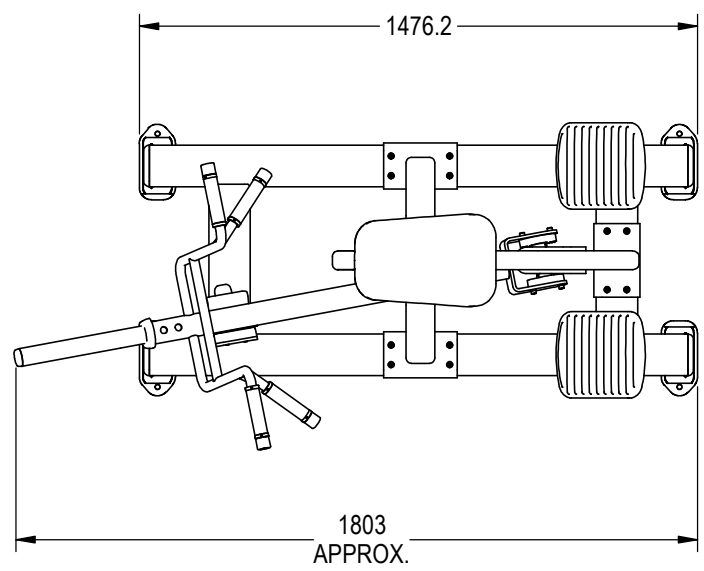
STARTRAC PART NO: **9IP-L3140-XXXXS** REV: **A**

TITLE: **IP,LEV, INCLINE ROW**

SCALE: 1:10 SHEET 1 OF 1 SHEET SIZE: B

NOTES:

REVISION HISTORY				
REV	DATE	DESCRIPTION	ECO	BY
A	7/26/2013	RELEASED @ LA	14287	LA



DOCUMENT STATUS:

NOTICE OF PROPRIETARY INFORMATION
THIS DOCUMENT SHALL NOT BE REPRODUCED NOR SHALL THE INFORMATION CONTAINED HEREIN BE USED BY OR DISCLOSED TO OTHER EXCEPT AS EXPRESSLY AUTHORIZED BY CORE INDUSTRIES, INC., D.B.A. STAR TRAC.

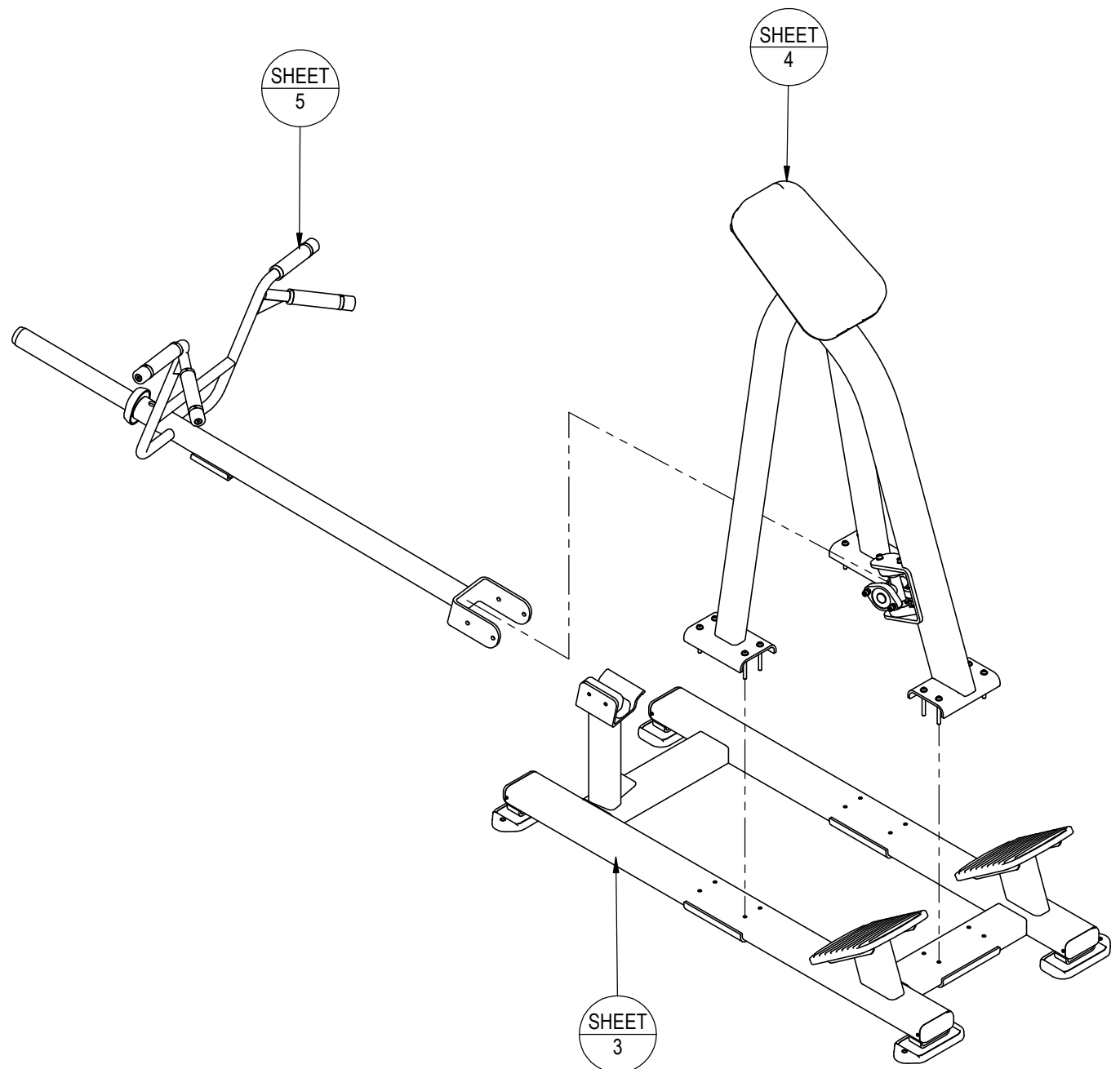
CLASS OF WORK	UNLESS OTHERWISE SPECIFIED DIMS ARE IN mm. TOLERANCES FOR MEASURE OF LENGTH ARE:							ANGLES = ±2°
	0.5 to 3	> 3 to 6	> 6 to 30	> 30 to 120	> 120 to 400	> 400 to 1000	> 1000 to 2000	
FINE	±0.05	±0.05	±0.1	±0.15	±0.2	±0.3	±0.5	----
MEDIUM	±0.1	±0.1	±0.2	±0.3	±0.5	±0.8	±1.2	±2
COARSE	±0.2	±0.3	±0.5	±0.8	±1.2	±2	±3	±4
VERY COARSE	----	±0.5	±1	±1.5	±2.5	±4	±6	±8

MATERIAL SEE BOM	THIRD ANGLE PROJECTION 	
FINISH N/A	DRAWN	DATE
VENDOR: N/A	INITIAL RLH	7/26/13
P/N: N/A	CHECKED	
	APPROVED	
	U.O.M.	MM

CORE INDUSTRIES, INC. DBA 		14410 Myford Road Irvine CA 92606	
STARTRAC PART NO	REV		
IP-L3140-XXXXS	A		
TITLE LEVERAGE, INCLINE LEVER ROW			
SCALE: 1:20	SHEET 1 OF 5	SHEET SIZE: B	

9 8 7 6 5 4 3 2 1

ITEM NO.	PART NUMBER	DESCRIPTION	QTY.
1	4900-0062	2 BOLT FLANGE MOUNT BEARING	4
2	731-0209	CAP, END, 110 X 50	5
3	731-0225	SCREW,M3.5 X 9.5,SELF TAPPING	9
4	731-0235	SCREW,M8 X 1.25,75mm,BHC,HK	12
5	731-0319	SCREW,M10 X 1.5,75MM,BHC,ZP	2
6	731-0355	WASHER,PLAIN,M8,NARROW	36
7	731-0363	NUT,M10X1.5,NYLOC	2
8	731-0365	NUT,M8 X 1.25,NYLOC JAM	20
9	731-0367	WASHER,PLAIN,M10	4
10	731-0379	SCREW,M8 X1.25,20mm,SHC,HK	8
11	731-0397	SCREW,M8 X 1.25,25mm,FHM,HK	4
12	731-0421	SCREW, M8 X 1.25, 30MM, SHC, HK, CS	8
13	731-0635-00XX	ASSY, SEAT BOTTOM, ROW	1
14	731-1458-XX	BRACKET,BOTTOM,FOOT,WT STORAGE	3
15	731-1785	SCREW,SET,M4X.7,4MM	16
16	731-1904	END CAP	4
17	731-1917	TRIM RING,GRIP	8
18	731-2074	COVER,PLATE,FOOT,HYPER	2
19	731-2647	FOOT, LONG, LEVERAGE	4
20	731-2762	RUBBER BUMPER	2
21	731-2916	PLASTIC,BACK/SEAT,LEVERAGE	1
22	731-4142	ILR, BASE FRAME	1
23	731-4145-XX	WELDMENT,SIDE A FRAME,ILR	1
24	731-4146-XX	WELDMENT,SIDE B FRAME,ILR	1
25	731-4149-XX	WELDMENT,MAIN UPRIGHT FRAME,ILR	1
26	731-4151	WELDMENT,U-JOINT,ILR	1
27	731-4160-XX	WELDMENT,HANDLE/WEIGHT ARM,ILR	1
28	731-4162	BOSS,ILR	2
29	731-4163	GRIP,RUBBER,ILR	4
30	731-5259	BUMPER,STOP,WGT	1
31	731-5272	CAP,PLUG,WEIGHT HORN,BLANK	1



CORE INDUSTRIES, INC. DBA
STAR TRAC
 14410 Myford Road
 Irvine CA 92606

STARTRAC PART NO. **IP-L3140-XXXXS** REV **A**

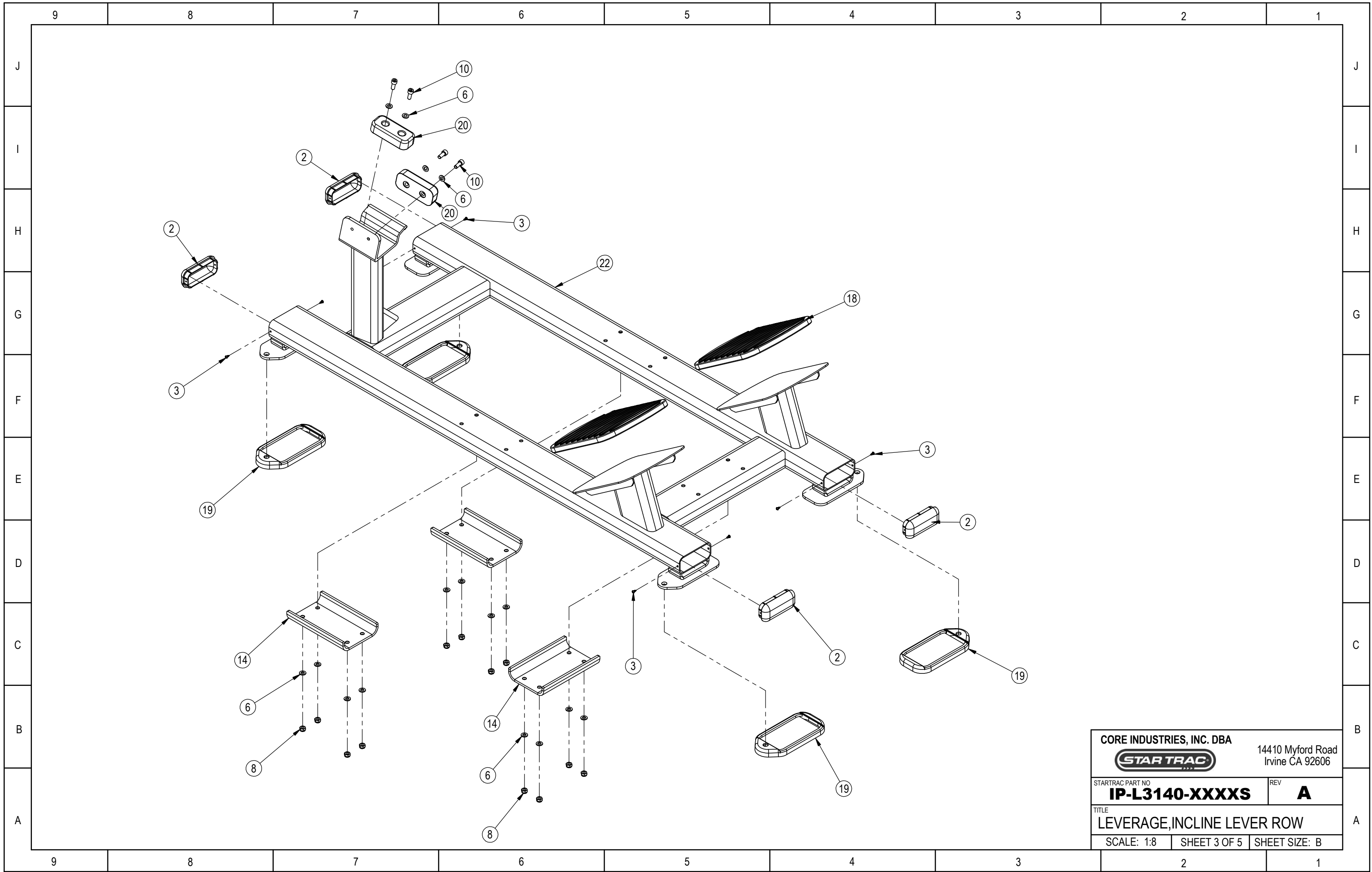
TITLE
LEVERAGE, INCLINE LEVER ROW

SCALE: 1:15 SHEET 2 OF 5 SHEET SIZE: B

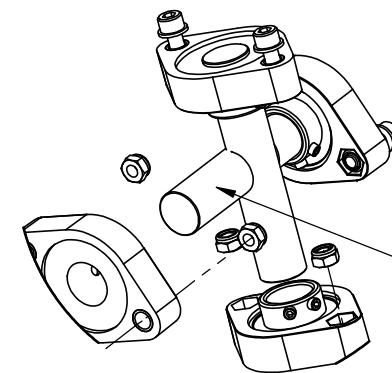
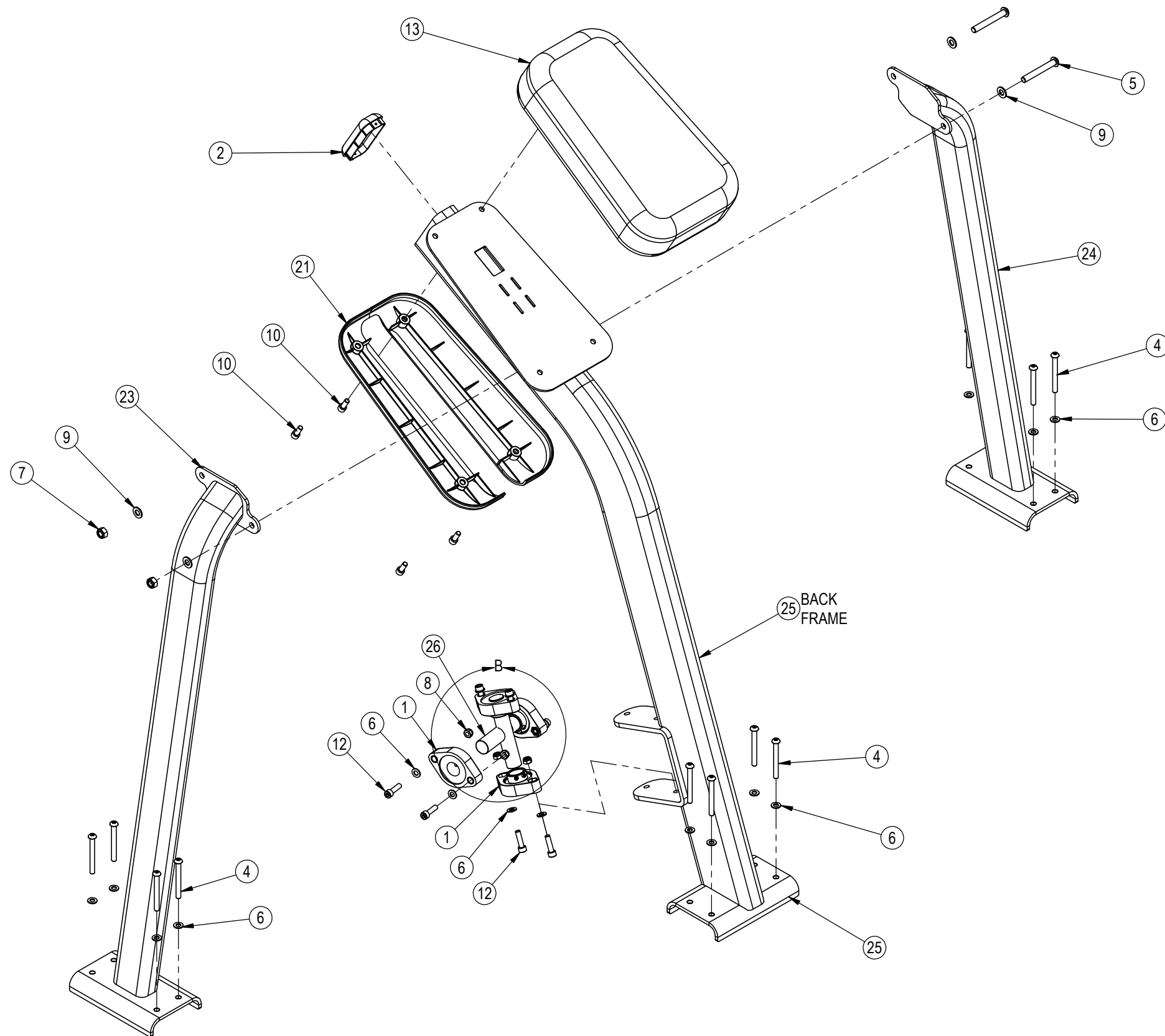
9 8 7 6 5 4 3 2 1

J
I
H
G
F
E
D
C
B
A

J
I
H
G
F
E
D
C
B
A

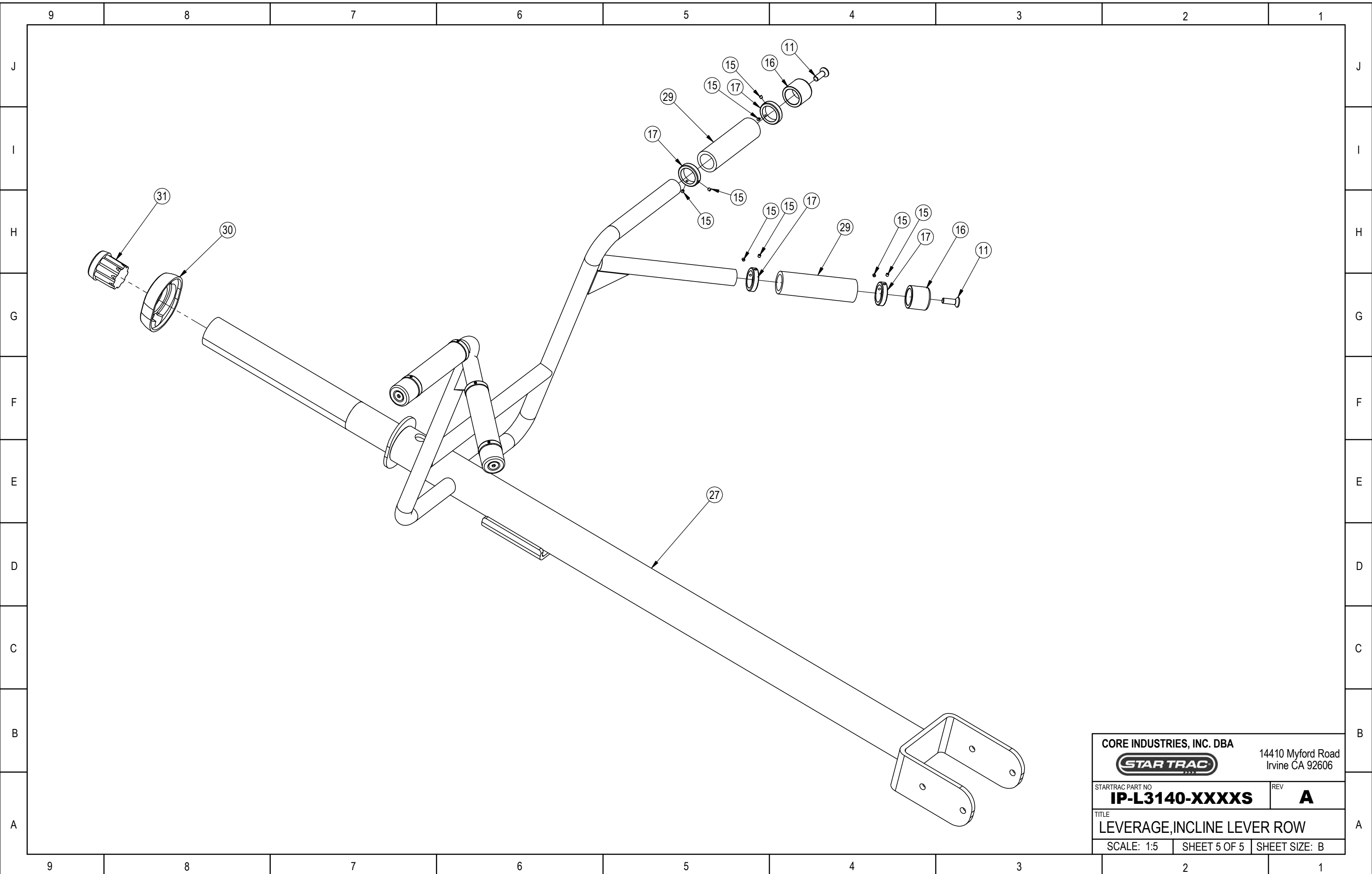


CORE INDUSTRIES, INC. DBA		14410 Myford Road Irvine CA 92606	
STAR TRAC			
STARTRAC PART NO	IP-L3140-XXXXS		REV A
TITLE LEVERAGE, INCLINE LEVER ROW			
SCALE: 1:8	SHEET 3 OF 5	SHEET SIZE: B	



NOTE:
THIS AXLE **MUST BE**
MOUNTED AWAY
FROM BACK FRAME

CORE INDUSTRIES, INC. DBA		14410 Myford Road Irvine CA 92606	
STAR TRAC			
STARTRAC PART NO	IP-L3140-XXXXS		REV A
TITLE LEVERAGE, INCLINE LEVER ROW			
SCALE: 1:8	SHEET 4 OF 5	SHEET SIZE: B	



CORE INDUSTRIES, INC. DBA		14410 Myford Road
STAR TRAC		Irvine CA 92606
STARTRAC PART NO	REV	
IP-L3140-XXXXS	A	
TITLE		
LEVERAGE, INCLINE LEVER ROW		
SCALE: 1:5	SHEET 5 OF 5	SHEET SIZE: B